

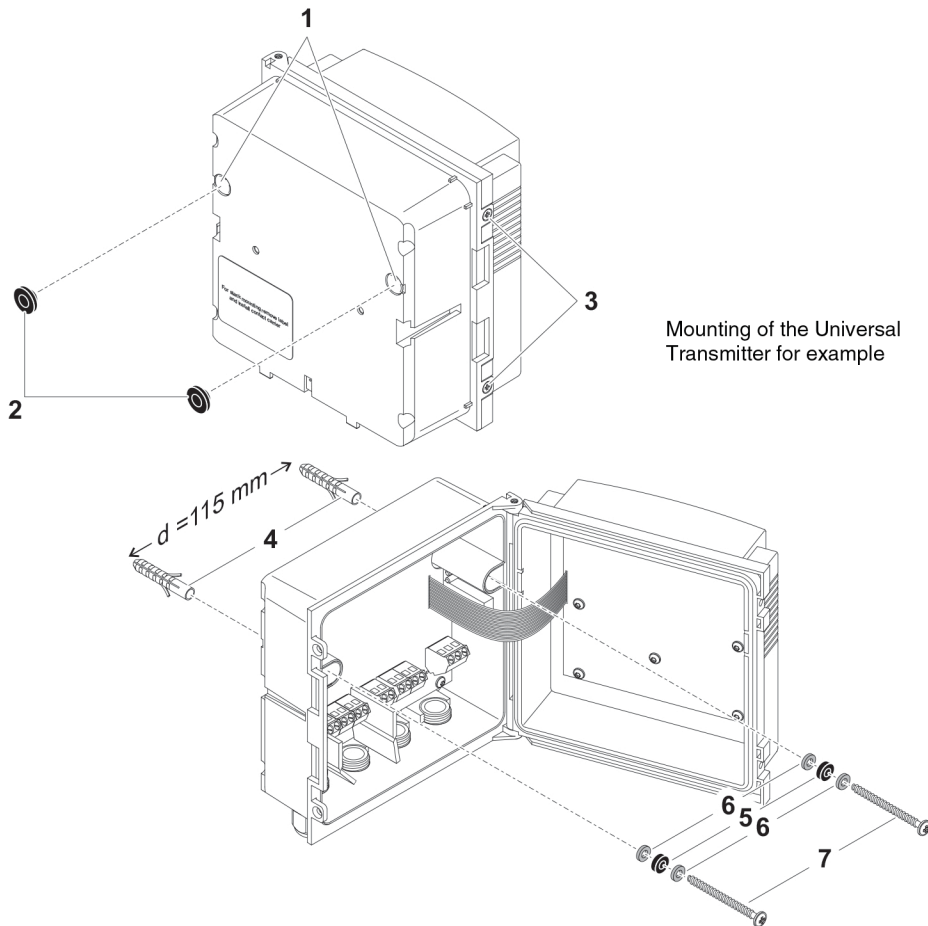


a xylem brand

## Installation instructions

### WMS/IQ

#### Wall mounting set



### Mounting

With the WMS/IQ kit you can mount a DIQ/S 182 Universal Transmitter or an MIQ module to a wall. To do so, proceed as follows:



#### Note

Depending on the condition of the wall, dowels other than those contained in the kit may be required.

- |   |   |
|---|---|
| 1 | Remove the covers from the drilled mounting holes (1).  |
| 2 | Insert the distance washers (2) in the drilled mounting holes.  |
| 3 | Remove the countersunk screws (3) and swing open the lid.   |
| 4 | Screw the Universal Transmitter to the previously drilled wall with the aid of the dowels (4), the washers (5), the sealing washers (6) and the screws (7). |
| 5 | Close the lid and fix it with the two countersunk screws (3).   |